

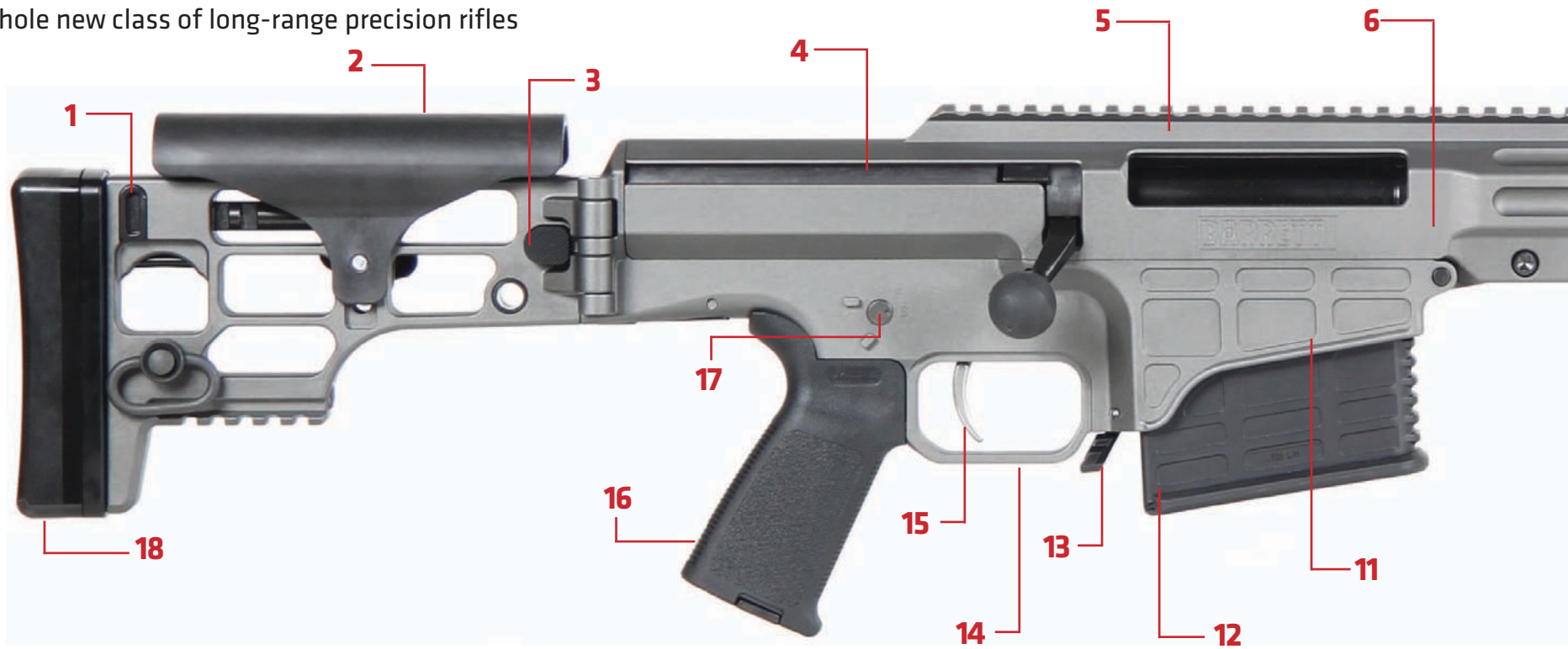
MIRAD™



BARRETT®

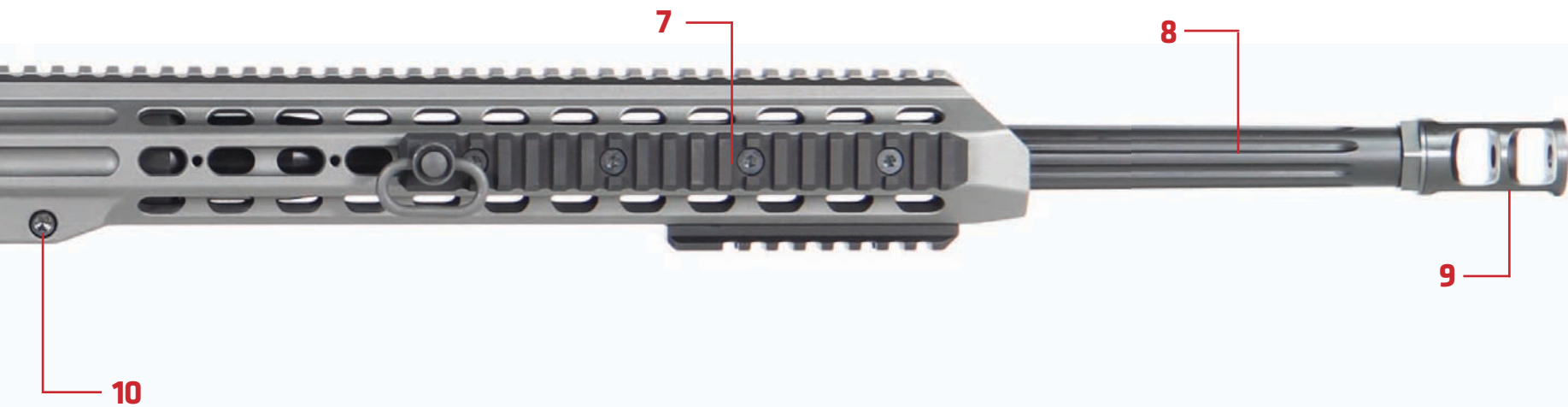
MRAD[®]

Ready to follow your every move, the MRAD adapts to a variety of user needs without sacrificing performance. With unfailing accuracy, this bolt-action system continues to define a whole new class of long-range precision rifles



FEATURES

1. Length of pull adjustable by push button
2. Polymer cheek piece is height adjustable from either side
3. Lightweight folding stock provides compact mobility
4. Polymer bolt guide acts as dust cover and provides smooth bolt cycling
5. Integral 20 MOA 21.75" (55.24 cm) M1913 optics rail
6. Mil-Spec Type 2, Class 3 Hardcoat anodized available in MRB, Black, Tan, OD Green, and Tungsten Grey
7. Multiple length accessory rails can be mounted at 3, 6 and 9 o'clock positions
8. Match grade barrels available in both fluted and heavy in multiple lengths
9. High efficiency muzzle brake
10. User changeable calibers
11. Generously sized magazine well for quick reload
12. 10-round, drop free polymer magazine
13. Ambidextrous magazine release is accessible while maintaining firing grip



14. Oversized trigger guard for operation with gloved hands
15. Fully adjustable trigger module can be removed without tools
16. Accepts most standard M4/M16 pistol grips
17. Thumb-operated safety configurable for right/left-handed operation
18. Recoil absorbent Sorbathane® pad

COMES WITH

- Two 10-round polymer magazines
- 2 quick-detach sling swivel loops
- 3 multiple length accessory rails
- Pelican case with custom foam insert
- Operator's manual

AVAILABLE IN



Flat Dark Earth



Tungsten Grey



OD Green



Multi-Role Brown



Black

MRAD®

At your command.

The MRAD rifle's user-changeable barrel system is just one example of this hardworking gun's modularity. Available in .338 Lapua Magnum, .300 Winchester Magnum and .308 Winchester, the precision grade barrel can be removed by simply loosening two bolts using a standard Torx wrench. Besides reducing maintenance and logistical burdens, this unique design allows for user level caliber interchangeability and serviceability with the MRAD rifle's barrel kits.

The MRAD also boasts Barrett's fully adjustable match-grade trigger module, which is user accessible. The thumb-operated safety can be configured for left or right hand operation. The ambidextrous magazine release can be used intuitively while retaining a firing grip and cheek weld.

Integrated into the MRAD rifle's 7000 series aluminum upper receiver is a 21.75 inch M1913 rail with 20 MOA taper. The forward receiver is drilled and tapped for accessory rails to be mounted at the 3, 6 and 9 o'clock positions.

The MRAD stock is foldable for enhanced portability yet locks in as solid as a fixed-stock rifle, creating a rigid platform for consistent firing. During transport the stock folds and locks onto the bolt handle maintaining the same rifle width whether folded or extended.

Made of a temperature-resistant polymer, the adjustable cheek piece also offers a consistent rifle-to-user contact point. The rifle's length of pull can be set to five different positions with the push of a single button.

From its quick-detach sling mounts to color that blends into any environment – every detail of the MRAD has been carefully designed to create one thing: a high-performance rifle you can truly make your own.



During transport the stock folds and locks onto the bolt handle maintaining the same rifle width whether folded or extended.

SPECIFICATIONS

Model:
MRAD

Operation:
Bolt Action Repeater

Caliber and Barrel Length:
.338 Lapua Magnum
20" (51 cm)
24" (61 cm)
26" (66 cm)

.300 Winchester Magnum
24" (61 cm)

.308 Winchester
17" (43 cm)
22" (56 cm)

Barrel Twist Rate:
.338 LM - 1 in 9.35" (24 cm)
.300 WM - 1 in 10" (25 cm)
.308 Win - 1 in 10" (25 cm)

Maximum Length:
26" Barrel - 49.4" (125.5 cm)

Minimum Folded Length:
17" Barrel - 31.75" (80.6 cm)

Rail Length/MOA:
21.75" (55.24 cm) 20 MOA

Weight:
Min 11.7 lbs (5.3 kg)
Max 14.72 lbs (6.68 kg)

Magazine Capacity:
10 Rounds

REC7[®] GEN II



BARRETT[®]

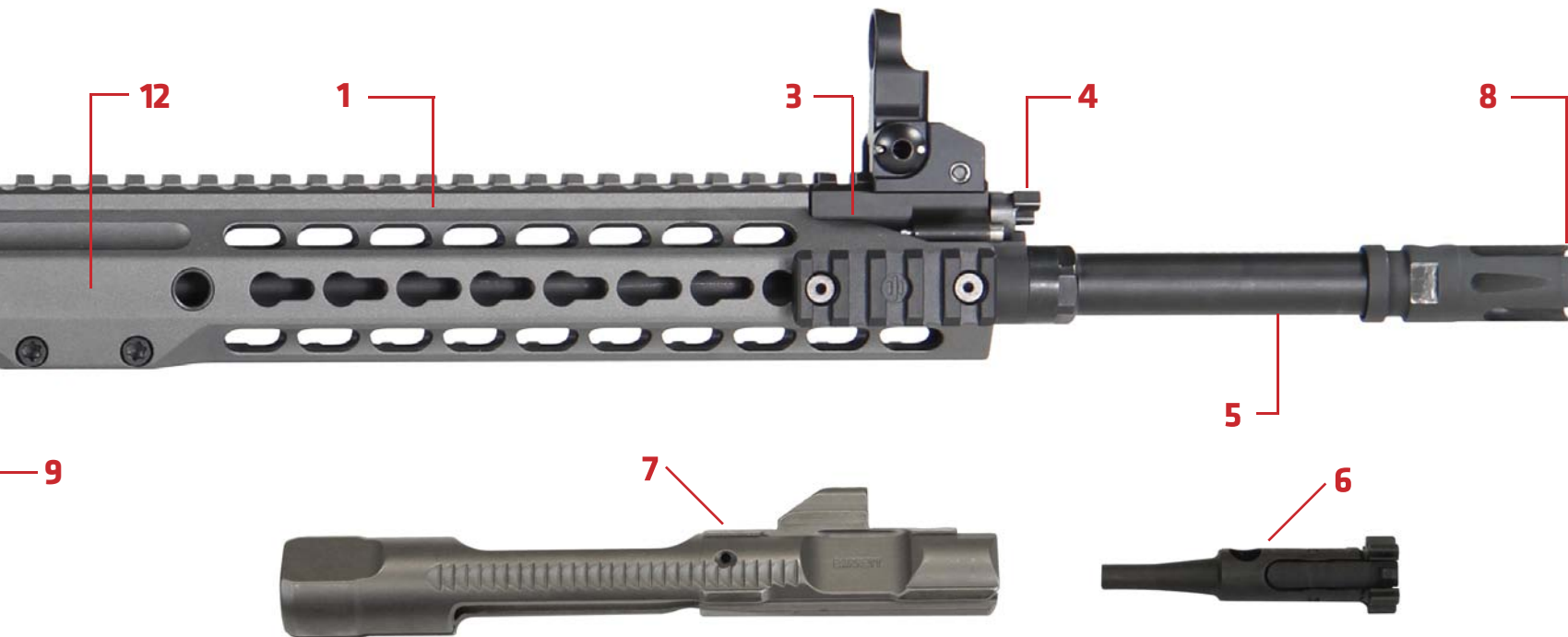
REC7[®] GEN II

Compact, accurate and completely trustworthy, the REC7 is designed specifically for situations in which there's no room for error. Styled in the familiar AR configuration, it's a serious rifle you can trust with anything—including your life.



FEATURES

1. One-piece 17-4 stainless steel piston is easily accessed without removal of the handguard
2. Forged 7075 upper and lower receivers coated with Type 2, Class 3 hard anodized and Cerakote finished
3. Patented, chrome-lined fluted gas block with M1913 rail reduces the need for maintenance
4. Two-position nitride-finished gas plug
5. Cold hammer-forged, chrome-lined barrel available in 9.25" (23.5 cm) and 16" (40.6 cm) lengths
6. Enhanced Barrett bolt incorporates simplified operation and reinforced durability
7. Nickel Teflon[®] coated anti-tilt full auto bolt carrier machined from solid block of 8620 steel with integrated piston strike face
8. PWS Triad muzzle brake
9. Beveled magazine well for rapid magazine changes
10. Magpul[®] trigger guard allows access to trigger with gloves
11. Equipped with Magpul MOE buttstock and pistol grip



- 12. Barrett enhanced handguard utilizing KeyMod attachments
- 13. Geissele SSA trigger
- 14. Mil spec diameter receiver extension

COMES WITH

- PRI adjustable flip up sights
- 2 magazines
- Barrett branded soft case
- 1 short PWS accessory rail

AVAILABLE IN



REC7® GEN II

Eliminate all doubt.

This tough-as-nails rifle was designed specifically to answer the call for a low-maintenance, Reliability-Enhanced Carbine.

The REC7 rifle's dependability stems largely from its innovative operating system. Using a minimum number of parts, the piston system separates heat and powder residue from the bolt carrier and trigger assembly. The rifle runs cool and clean, reducing maintenance and lubrication requirements therefore increasing endurance.

The patented, chrome-lined, fluted gas block prevents excessive carbon buildup. The one-piece 17-4 stainless piston transfers energy to the anti-tilt bolt carrier which is coated in NP3. Machined from a monolithic block of 8620 steel, the carrier features an integral piston strike face.

The Barrett Enhanced Bolt is made from high-strength 9310 steel. The bolt is designed specifically for use in the piston operated REC7, not just adapted from a direct gas bolt.

The bolt's gas-ring-free design is easy to clean. Reinforced at critical areas, every bolt is proofed and magnetic particle inspected to guarantee reliable performance.

At the heart of the operating system is a nitrided, two-position, forward-venting gas plug that retains the piston. The gas plug features a suppressor ready position and is tuned specific to caliber and barrel length. The piston can be accessed through the front of the gas block without removing the handguard so optical sights or laser devices maintain zero after routine maintenance.



The one-piece 17-4 stainless piston design leaves the user no small pieces to lose in the field.

The REC7 rifle's forged 7000 series aluminum upper and lower receivers are Type 2 hardcoat anodized and Cerakote finished. The lower houses a dependable single-stage trigger while the upper supports a free-floating, chrome-lined barrel with M4 feed ramps machined into the receiver.

Available in 5.56 NATO or 6.8 SPC, the REC7 is everything you'd expect from a Barrett rifle, and then some.

SPECIFICATIONS

Model:
REC7 GEN II

Operation:
Gas Piston System
Semi-Automatic

Calibers, Barrel Length, Barrel Type & Rifling Twist:

6.8 SPC
9.25" (23.5 cm) barrel: 1 in 10" (25.4 cm)
16" (40.6 cm) barrel: 1 in 10" (25.4 cm)

5.56 NATO
9.25" (23.5 cm) barrel: 1 in 7" (18 cm)
16" (40.6 cm) barrel: 1 in 7" (18 cm)

Overall Length:
25.875" (65.72 cm) SBR
33.25" (84.46 cm)

Weight:
5.95 lbs (2.69 kg)
7.2 lbs (3.26 kg)

Stock Type:
MagPul® MOE 6 Position

Handguard Rail Types:
Barrett Enhanced Rail featuring KeyMod

Magazine Capacity:
30 Rounds
10 Rounds

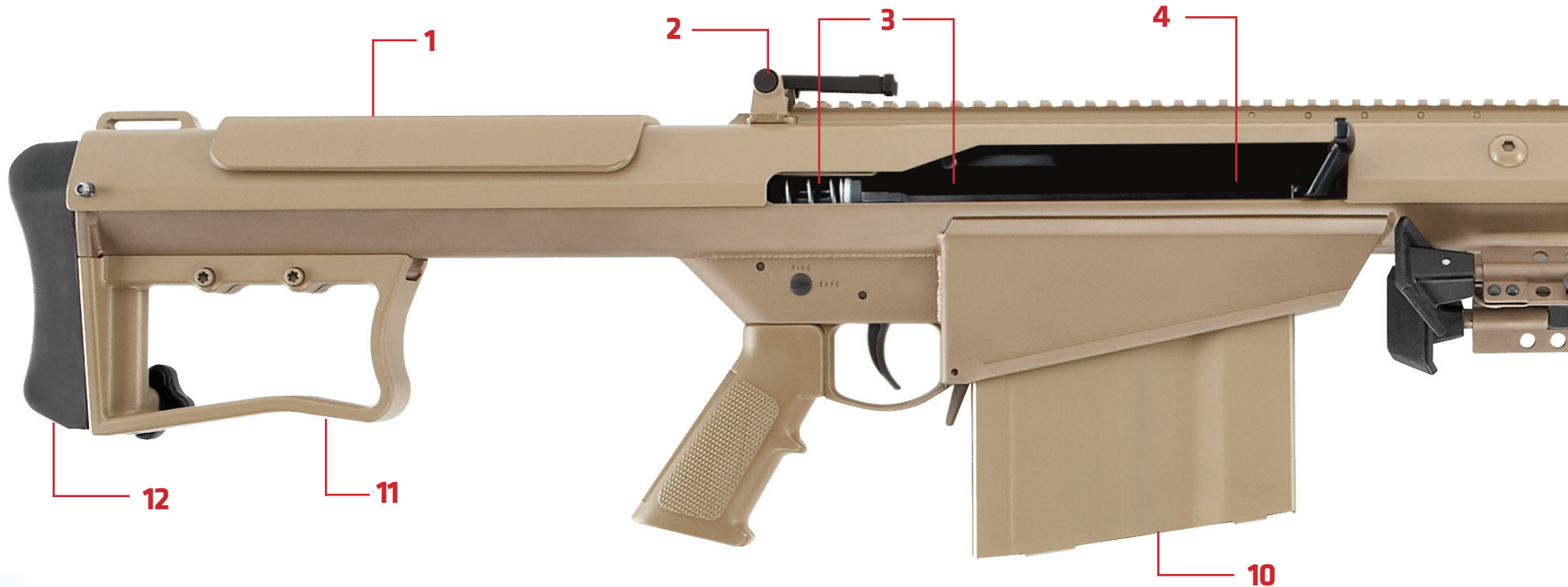
M107A1™



BARRETT®

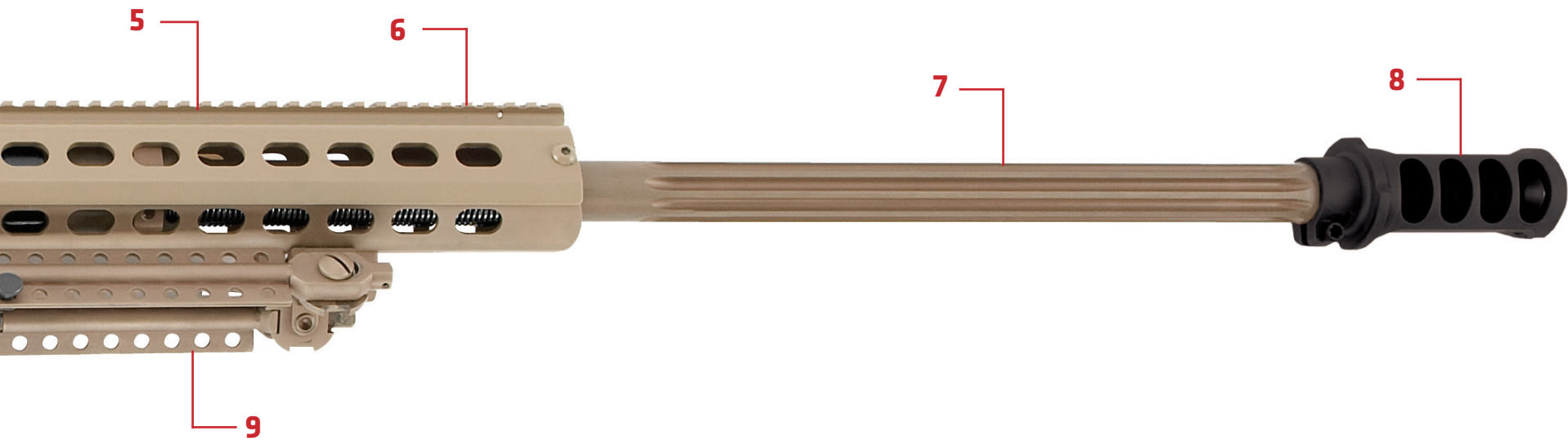
M107A1™

It may be related to the Model 82A1®/M107®, but the M107A1 is far from a simple evolution. Driven by the demands of combat, every component was re-engineered to be lighter yet stronger. The result? A high-performance rifle that weighs five pounds less than the original M107, but is every bit as tough.



FEATURES

1. Thermal cheek guard
2. Back up iron sights
3. Suppressor-ready bolt carrier and buffer assemblies
4. Nickel Teflon® coatings on bolt assembly for reduced maintenance
5. Anti-corrosive coatings available in Flat Dark Earth and Black*
6. Lightweight aluminum upper receiver with integral 18" (45.72 cm) 27 MOA optics rail accepts optional M1913 accessory rails
7. 20" (50.8 cm)* or 29" (73.66 cm) barrel with fully chrome-lined chamber and bore
8. Accepts Barrett QDL Suppressor
9. Lightweight quick detach adjustable bipod
10. 10-round steel magazine with cartridge witness indicators
11. Modular rear hand grip mounted on M1913 rail accepts lightweight monopod
12. Ultra absorbent Sorbothane® recoil pad
13. 5 lbs. (2.40 kg) overall weight reduction compared to original M107



COMES WITH

- 10-round steel magazine
- Lightweight adjustable monopod
- Quick detach adjustable bipod
- Pelican case with custom insert
- Operator's manual



*Shown in Black with 20" fluted barrel. Barrett QDL Suppressor sold seperately.

M107A1™

A Whole New Legend.

Designed to be used with a suppressor, this one-of-a-kind rifle allows you to combine signature reduction capabilities with the flawless reliability of the original Barrett® M107, but with a rifle weight reduction of 5 pounds. An all new bolt carrier group has been designed and is key to making the rifle suppressor-ready. Its steel four-port cylindrical muzzle brake is engineered to work seamlessly with a quick-attach Barrett QDL Suppressor.

The lightweight aluminum upper receiver features an integrated 27 MOA optics rail. Inside the upper receiver, the bolt carrier rides on a hardened steel anti-wear strip for added durability. A thermal-guard cheek piece protects the user's face from extreme heat or cold.

Advanced design and manufacturing make the M107A1 more precise than ever. The rear barrel stop and front barrel bushing are bolted and bonded with a high strength compound. A titanium barrel key and fully-chrome-lined bore and chamber add to the rifle's durability.

Enhanced modularity is also a key feature of the M107A1. The rail-mounted aluminum rear grip can easily be reconfigured. The newly designed titanium and polymer monopod is adjustable from either side.

The M107A1 rifle's lower receiver includes a new aluminum recoil buffer system that's optimized for use with the Barrett QDL Suppressor. The bolt carrier's components are protected with a mix of ultra-hard coatings and advanced nickel Teflon® plating that increases lubricity, is corrosion-resistant and greatly eases cleaning.

Numbered witness holes on the magazine are just another example of how even the smallest detail makes a powerful difference.



Numbered witness holes on the magazine are just another example of the attention paid to detail.



Its steel four-port cylindrical muzzle brake is engineered to work seamlessly with a quick-attach Barrett QDL Suppressor.

SPECIFICATIONS

Model:
M107A1

Caliber:
.50 BMG

Operation:
Semi-Automatic

Barrel Lengths:
20" (50.80 cm)
29" (73.70 cm)

Barrel Twist Rate:
1 turn in 15" (38.1 cm)

Overall Length:
48" (122 cm)
57" (145 cm)

Rail Length/MOA:
18" (45.72 cm) 27 MOA

Weight:
27.4 lbs (12.4 kg)
28.7 lbs (13.0 kg)

Magazine Capacity:
10 Rounds

MODEL 98B[®]



BARRETT[®]

MODEL 98B[®]

Carved from years of hard-earned insight, the Model 98B is entirely in a league of its own. This revolutionary precision rifle offers sub MOA long-range performance that others can only dream about. Its straight-line design allows for faster, more accurate follow-up shots that can tame the beast when hunting large game.



FEATURES

1. Polymer cheek piece is height adjustable from either side
2. Polymer bolt guide acts as dust cover and provides smooth bolt cycling
3. Fully adjustable match grade trigger
4. 18" (45.72 cm) 30 MOA rail
5. Mil-Spec Type 3, Class 2 Hardcoat anodized
6. Multiple length accessory rails can be mounted at 3, 6 and 9 o'clock positions
7. Forward and rear sling loop attachment points
8. Match grade barrel available in fluted 26" (68.58 cm) and heavy 20" (50.8 cm)* lengths
9. High efficiency muzzle brake
10. 10-round polymer magazine
11. Ambidextrous magazine release is accessible while maintaining firing grip
12. Accepts standard M4/M16 pistol grips
13. Accepts height adjustable monopod
14. Ultra absorbent Sorbathane[®] recoil pad



*Shown with 20" (50.8 cm) heavy barrel.

COMES WITH

- Height adjustable monopod
- Harris bipod
- Two 10-round polymer magazines
- Multiple length accessory rails
- Pelican case with custom insert
- 2 quick-detach swivel sling loops
- Operator's manual



MODEL 98B®

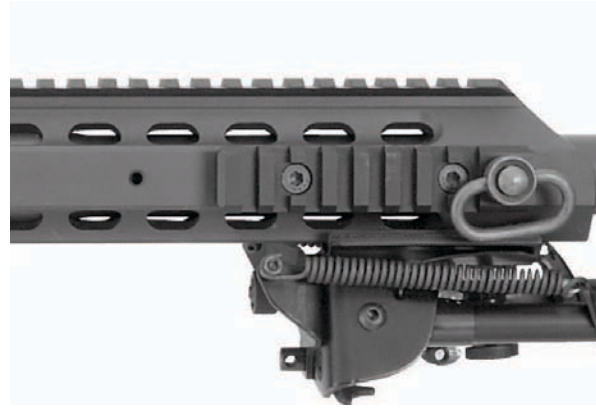
No game too big.

Even the casual observer can see that the Model 98B is not a descendant of the bolt action sporting rifle. In fact, it's not a descendant of anything. This .338 Lapua Magnum rifle was developed to be a completely unique, purpose-built platform for precise long-range shooting.

Its straight-line design, running from the highly efficient muzzle brake to the shooter's shoulder, tames recoil. It also allows for faster, more accurate follow-up shots fed from the 10-round detachable magazine. The ergonomic pistol grip reduces muscle fatigue and provides total control over the fully adjustable trigger. An intuitive, thumb-operated safety can be accessed without compromising the firing grip and allows the shooter to maintain a solid weld to the adjustable cheek piece. The oversized bolt handle can be easily manipulated, feeding a new round into the chamber as the bolt glides through a polymer guide.

The Model 98B rifle's aluminum upper receiver boasts a full length M1913 optics rail, offering plenty of space to mount substantial optics as well as a night vision device or other accessories. The forward receiver is drilled and tapped for accessory rails to be mounted at the 3, 6 and 9 o'clock positions.

This impressive long-range rifle system is equipped with a rear monopod and forward bipod. From its shooter-adaptable design to its unprecedented performance, the 98B is ingenuity in action.



The forward receiver is drilled and tapped for accessory rails to be mounted at the 3, 6 and 9 o'clock positions.

SPECIFICATIONS

Model:
98B

Caliber:
.338 Lapua Magnum

Operation:
Bolt Action Repeater

Barrel Lengths:
20" (50.8 cm)
26" (68.58 cm)

Barrel Twist Rate:
1 turn in 9.35" (23.75 cm)
1 turn in 10.0" (25.40 cm)

Overall Length:
43" (109.2 cm)
49.75" (126.4 cm)

Rail Length/MOA:
18" (45.72 cm) 30 MOA

Weight:
12.4 lbs (5.62 kg)
13.5 lbs (6.12 kg)

Magazine Capacity:
10 Rounds

MODEL 99™

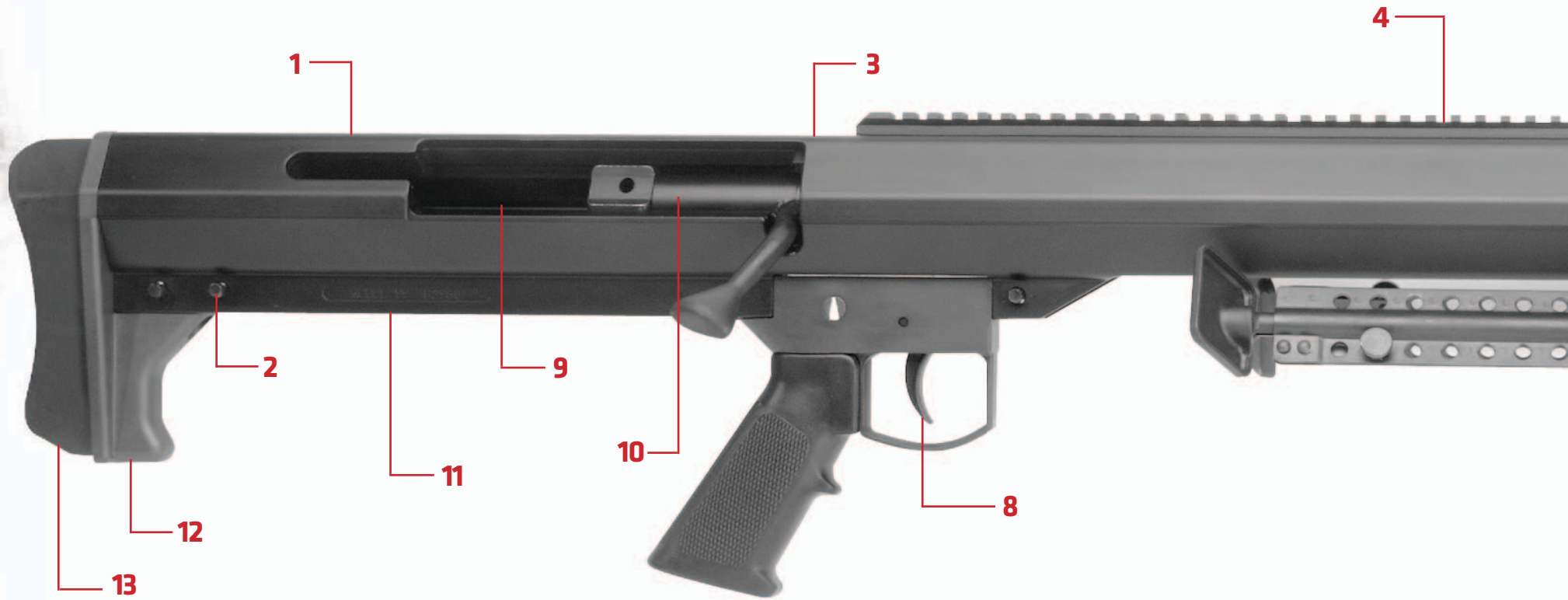


BARRETT®

MODEL 99 5242

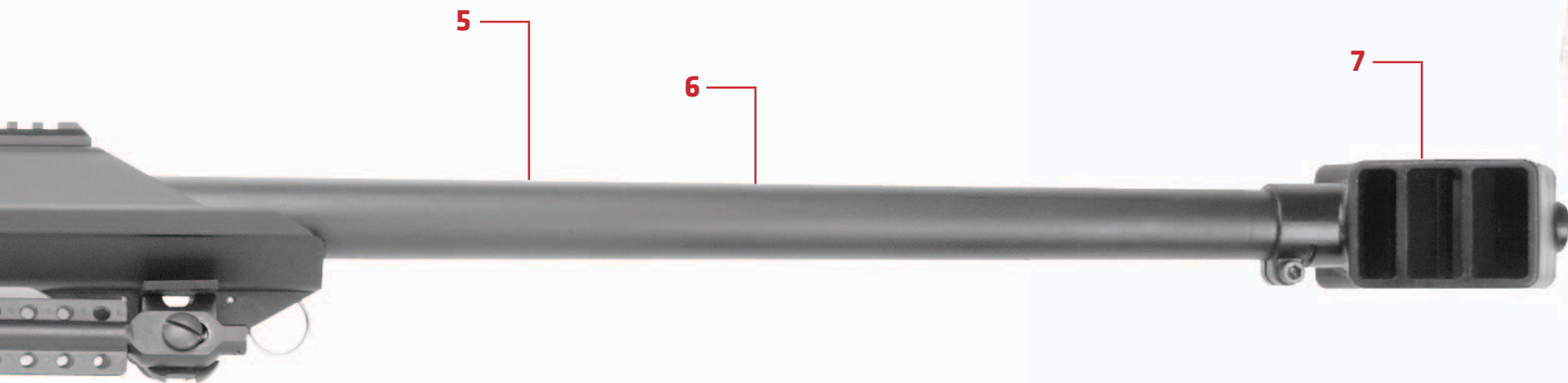
MODEL 99™

Rugged. Reliable. Uncomplicated. The Model 99 is designed for one thing only: to get the job done. With its brilliantly simple design, hard-core construction and surprisingly few moving parts, it offers match-winning accuracy time and time again.



FEATURES

1. One piece aluminum extrusion receiver
2. Quick-release assembly pins
3. Black Mil-Spec Type 3, Class 2 hardcoat anodized (Cerakote™ Tan available*)
4. 13.75" (34.92 cm) 27 MOA attached M1913 rail
5. Match grade 29" fluted* or 32" heavy barrel
6. Available in .50 BMG or .416 Barrett
7. 3-port fanned high efficiency muzzle brake
8. Match-quality trigger
9. Easy feed, single shot
10. Interrupted, buttress-threaded bolt for superior lock up
11. Lightweight portable design
12. Rear hand grip accepts adjustable monopod
13. Ultra absorbent Sorbothane® recoil pad



COMES WITH

- Quick detach adjustable bipod
- Pelican case with custom insert
- Operator's manual



*Shown with Cerakote Tan receiver and 29" fluted barrel

MODEL 99™

Power, pure and simple.

Smooth functionality with dead-on accuracy, shot after shot, the Model 99 in .50 BMG is competition ready. At the heart of this robust and accurate bolt action rifle is a one-piece 7000 series aluminum alloy extrusion. A heat-treated steel M1913 rail is attached to the top of the extrusion by closely spaced high-strength bolts. The match grade barrel is pressed and locked into the receiver, creating a solid unitized structure on which to mount a riflescope. The Model 99 barrel is made in a heavier contour to ensure repeatable accuracy.

The .416 Barrett caliber brings new levels of precision shooting to the Model 99. With the enhanced accuracy and increased velocity of the .416 Barrett cartridge, this rifle offers incredible long-range precision.

The bolt is machined from a single piece of S-7 tool steel. The action's strength is exemplified by the 15 bolt lugs that lock into the machined barrel extension. The bolt's few moving parts (extractor, ejector and firing pin assembly) make it reliable and easy to maintain.

The Model 99 is easily disassembled without tools by removing three quick-release assembly pins. These pins attach the trigger housing and bolt guide to the receiver assembly. The match-quality trigger design is virtually maintenance-free and the bipod can easily be detached for benchrest shooting

Known as much for its dependability as its versatility, the Model 99 has unfailing accuracy you can rely on.



The action's strength is exemplified by the 15 bolt lugs that lock into the machined barrel extension.



Designed specifically for the bolt-action power of a .50 caliber rifle, the Model 99 high efficiency 3-port fanned muzzle brake tames recoil.

SPECIFICATIONS

Model:
99

Calibers:
.50 BMG
.416 Barrett

Operation:
Single Shot Bolt Action

Barrel Lengths/Types:
.50 BMG
29" Fluted (73.6 cm)
32" Heavy (81.3 cm)
.416 Barrett
32" Heavy (81.3 cm)

Barrel Twist Rate:
1 turn in 12" (30.5 cm) for
.416 Barrett
1 turn in 15" (38.1 cm) for
.50 BMG

Overall Length:
47" (119 cm)
50" (127 cm)

Rail Length/MOA:
13.75" (34.92 cm) 27 MOA

Weight:
23 lbs (10.4 kg)
25 lbs (11.4 kg)

Magazine Capacity:
Single Shot

MODEL 82A1[®]



BARRETT[®]

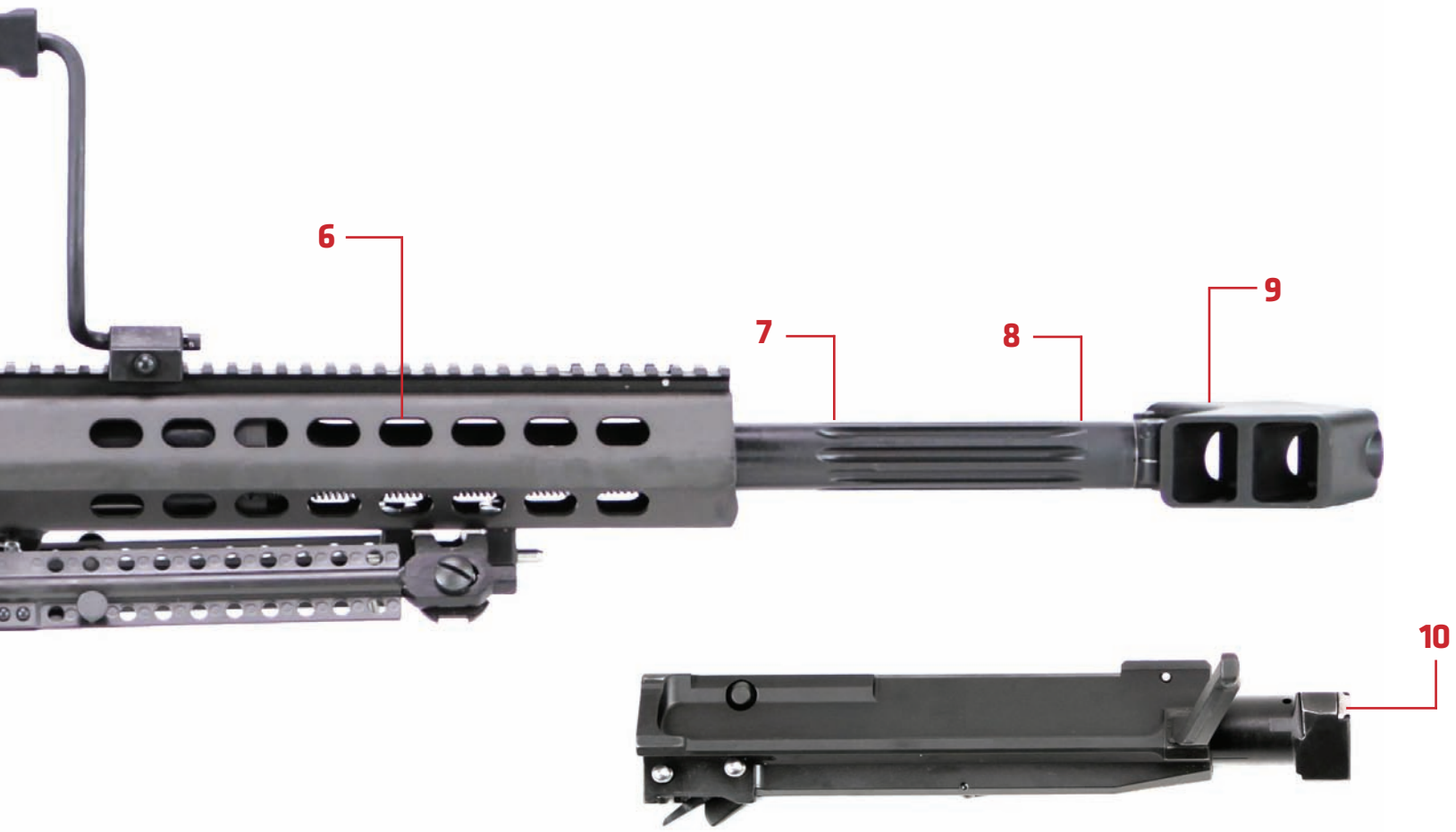
MODEL 82A1[®]

After 30-plus years of making history, the powerhouse rifle that started it all is still leading the pack. With its low felt recoil and self-loading action, the Model 82A1 offers rapid, accurate firepower that never slows down.



FEATURES

1. Front and rear sling loops
2. Steel receivers with durable parkerized finish (Cerakote™ Tan available*)
3. Flip up iron sites
4. 18" (45.72 cm) 27 MOA rail accepts carrying handle
5. Semi automatic recoil operated
6. Accepts side accessory rails
7. 20" (50.8 cm) or 29" (73.66 cm)* match grade fluted barrel
8. Chrome line chamber and bore
9. High efficiency iconic arrowhead 2-port brake for .50 BMG and cylindrical 3-port brake* for .416 Barrett
10. Combat ready extractor and ejector
11. 10-round steel magazine (Available with non detachable magazine for regulated states)
12. Rear hand grip accepts adjustable monopod
13. Ultra absorbent Sorbothane[®] recoil pad



COMES WITH

- 10-round steel magazine
- Carrying handle
- Quick detach adjustable bipod
- Pelican case with custom insert
- Operator's manual



*Shown with Cerakote Tan finish in .416 Barrett and 29" fluted barrel

MODEL 82A1®

Three Decades Down Range

For more than three decades, the Model 82A1 has been carefully honed, studied and then refined again. The result is a feat of engineering so infinitely precise it is hard to believe it's man-made.

As the first and only semi-automatic .50 caliber rifle available, the Model 82A1 continues to blaze new territory. Its chamber is chrome-plated and dimensioned for both civilian and military ammunition. The extractor and ejector are proven to work under any condition, and close tolerances on every part allow it to function in all environments. The muzzle brake, dual barrel springs and long mainspring design make this iconic rifle comfortable and exciting to shoot.

The .416 Barrett caliber brings new levels of precision shooting to the Model 82A1. With the enhanced accuracy and increased velocity of the .416 Barrett cartridge, this rifle offers incredible long-range precision. The Model 82A1 .416 is also available with a non-detachable magazine for state compliance purposes in which the magazine can easily be accessed for loading with a simple tool. For owners that want to swap their .50 caliber configurations to .416 caliber, upper conversion units are available on the Barrett web site.

The Model 82A1 fits into a regular sized carrying case. Although it's transported as a disassembled upper and lower receiver, it can be ready to fire in under a minute. The scope remains mounted on the upper receiver, maintaining zero. The rifle's M1913 optics rail has a 27 MOA taper to take full advantage of the scope's elevation travel.

Back up iron sights provided. Nerves of steel are not.



Optimizing recoil reduction, the Model 82A1 features a caliber specific muzzle brake. All .50 BMG configurations feature the iconic 2-port brake and .416 Barrett configurations are fitted with a cylindrical 3-port brake.

SPECIFICATIONS

Model:
82A1

Calibers:
.50 BMG
.416 Barrett

Operation:
Semi-Automatic

Barrel Lengths:
.50 BMG
20" (50.8 cm)
29" (73.7 cm)
.416 Barrett
29" (73.7 cm)

Barrel Twist Rate:
1 turn in 12" (30.5 cm) for .416 Barrett
1 turn in 15" (38.1 cm) for .50 BMG

Overall Length:
48" (121.9 cm)
57" (145 cm)

Rail Length/MOA:
18" (45.72 cm) 27 MOA

Weight:
31.45 lbs (14 kg)
32.71 lbs (14.8 kg)

Magazine Capacity:
10 Rounds

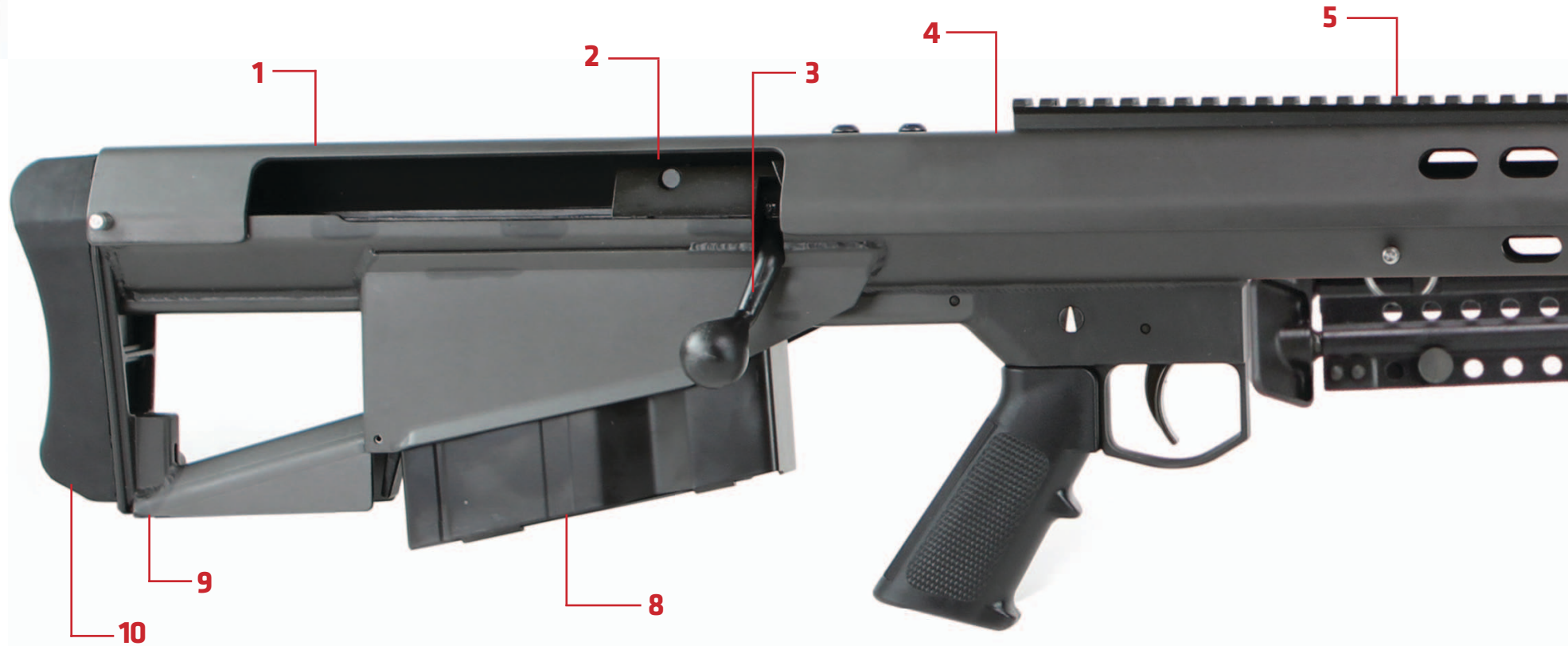
MODEL 95™



BARRETT®

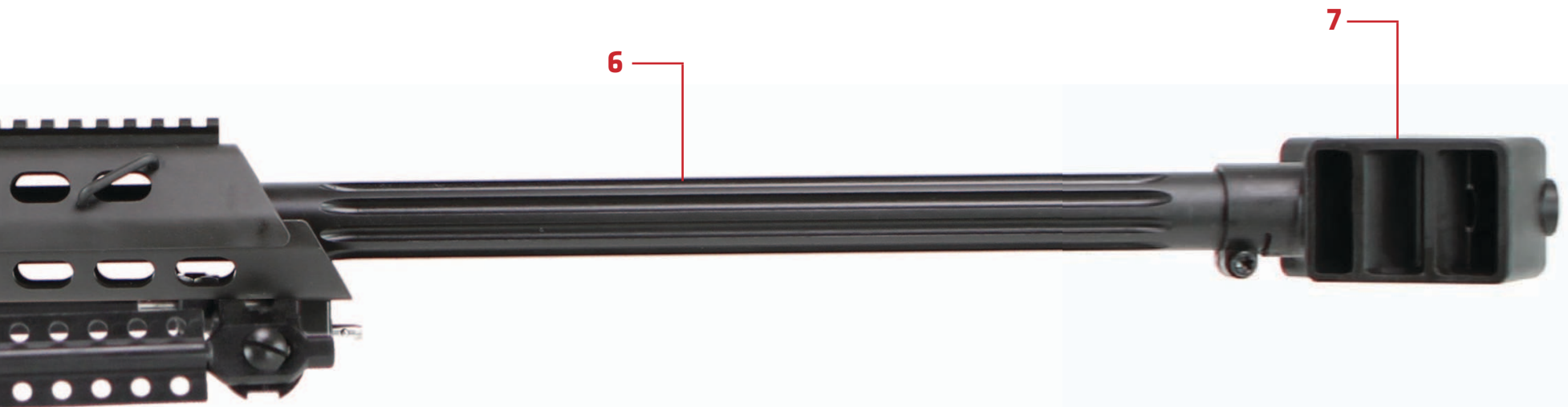
MODEL 95™

The Model 95 may weigh in at a smaller class, but packed into its lightweight bullpup design is the intense power of a .50 caliber magazine-fed weapon, the pinpoint accuracy of a bolt-action rifle and the effortless functionality of a perfectly designed machine.



FEATURES

1. Compact, lightweight bullpup design
2. Simplistic bolt carrier assembly with quick release lever
3. Ergonomic bolt handle design
4. Durable parkerized finish
5. 11.25" (29.85 cm) 27 MOA M1913 rail
6. Chrome-chambered 29" (73.6 cm) steel fluted barrel
7. 3-port high efficiency fanned muzzle brake
8. 5-round steel magazine
9. Accepts rear adjustable monopod
10. Ultra absorbent Sorbothane® recoil pad



COMES WITH

- Quick detach adjustable bipod
- Pelican case with custom insert
- Operator's Manual
- 5- round steel magazine

MODEL 95™

Fully loaded.

This compact rifle offers the velocity and accuracy of a 29-inch barrel in a lightweight package with an overall length of just 45 inches. The Model 95 is made for those who refuse to sacrifice accuracy for power while allowing the shooter to quickly and accurately fire five rounds, reload with a fresh magazine and get back on target in seconds.

Its buttplate, magazine well and trigger housing are unitized, helping to stiffen the steel lower receiver. The steel upper receiver is reinforced with an M1913 rail and supports the chrome-chambered, fluted barrel. All Barrett rifles are designed for easy field stripping, so the two receivers can be assembled in less than 60 seconds without the use of tools.

The bolt carrier itself is a study in innovation designed for speed, reliability and safety. It slides effortlessly on machined-smooth rails, transporting a large bolt that locks into the barrel extension on three lugs. This bolt carrier assembly is a simplistic design with a quick release lever for fast disassembly. The firing pin is driven by dual springs designed for consistency and lightning-quick lock time.

Adopted by militaries all over the world, the Model 95 is not just proven in battle, it's also fun to shoot.



Designed specifically for the bolt-action power of a .50 caliber rifle, the Model 95 high efficiency 3-port fanned muzzle brake tames recoil.



This bolt carrier assembly is a simplistic design with a quick release lever for fast disassembly.

SPECIFICATIONS

Model:
95

Calibers:
.50 BMG

Operation:
Bolt Action

Barrel Lengths/Types:
29" Fluted (73.6 cm)

Barrel Twist Rate:
1 turn in 15" (38.1 cm)

Overall Length:
45" (114.3 cm)

Rail Length/MOA:
11.75" (29.85 cm) 27 MOA

Weight:
23.5 lbs (10.7 kg)

Magazine Capacity:
5 Rounds

OPTICS ACCESSORIES



ZERO-GAP® Rings



These high-tech scope rings give you the perfect interface between your scope and rifle with Barrett's ZERO-GAP technology. Manufactured from 7075 aluminum alloy, they grip tight even under the heaviest recoil without adding unwanted weight.

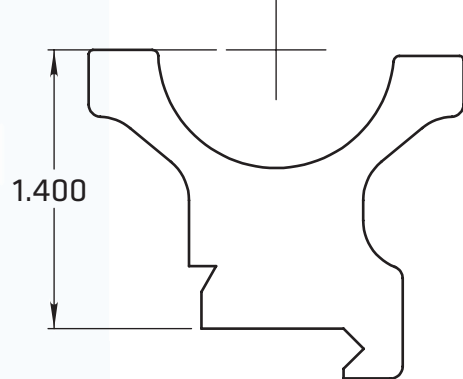
Barrett's exclusive ZERO-GAP technology also allows you to avoid the usual challenges that other optics-mounting systems present. With traditional rings, attention must be given to maintaining an equal gap between the lower ring and the ring cap. The scope may potentially rotate out of perfect alignment while the cap screws are being torqued. Barrett's scope-clamping ZERO-GAP design allows you to simply tighten the cap on the indicated side until there is no gap between the lower ring and ring cap, check for perfect reticle alignment, tighten the other side and fire away.

ZERO-GAP Rings are available in 30 mm and 34 mm and a variety of heights, offering the perfect fit for everything from a low-mounted, action-hugging scope on a hunting rifle to a high-mounted, large-objective optic on a tactical rifle.

30 mm Accessory Ring Cap: Expand the possibilities by simply replacing your ring cap with the Barrett Accessory Cap that offers 1.77 inches of rail space for a red dot sight, a laser designator or a number of other accessories. (Fits Barrett 30 mm ExRings® and ZERO-GAP Rings.)

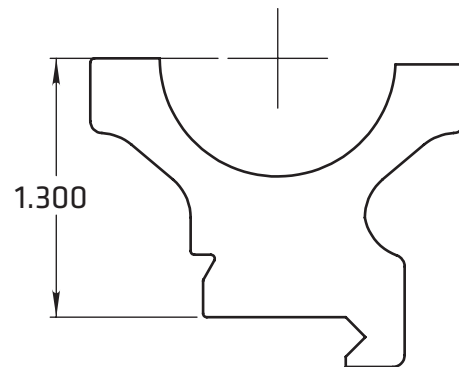


ZERO-GAP RINGS FOR EVERY APPLICATION



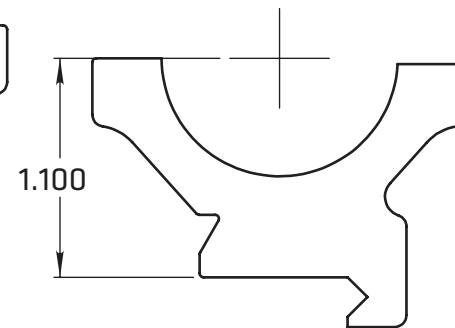
ULTRA HIGH

Up to **56 mm** Objective
With Lens Cover and
Extended Scope Rail



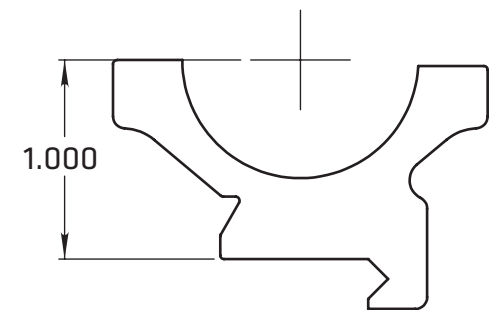
HIGH

Up to **50 mm** Objective
With Lens Cover and
Extended Scope Rail



MEDIUM

Up to **40 mm** Objective
With Lens Cover and
Extended Scope Rail



LOW

For Smaller-Caliber Rifles
and 6" to 7" Scope Rails

ExRings®



Long-range shooters often encounter a common problem: Certain scopes do not offer enough internal elevation for the rifle to achieve maximum range. Barrett ExRings with Pin-Lock® Technology make this issue a thing of the past.

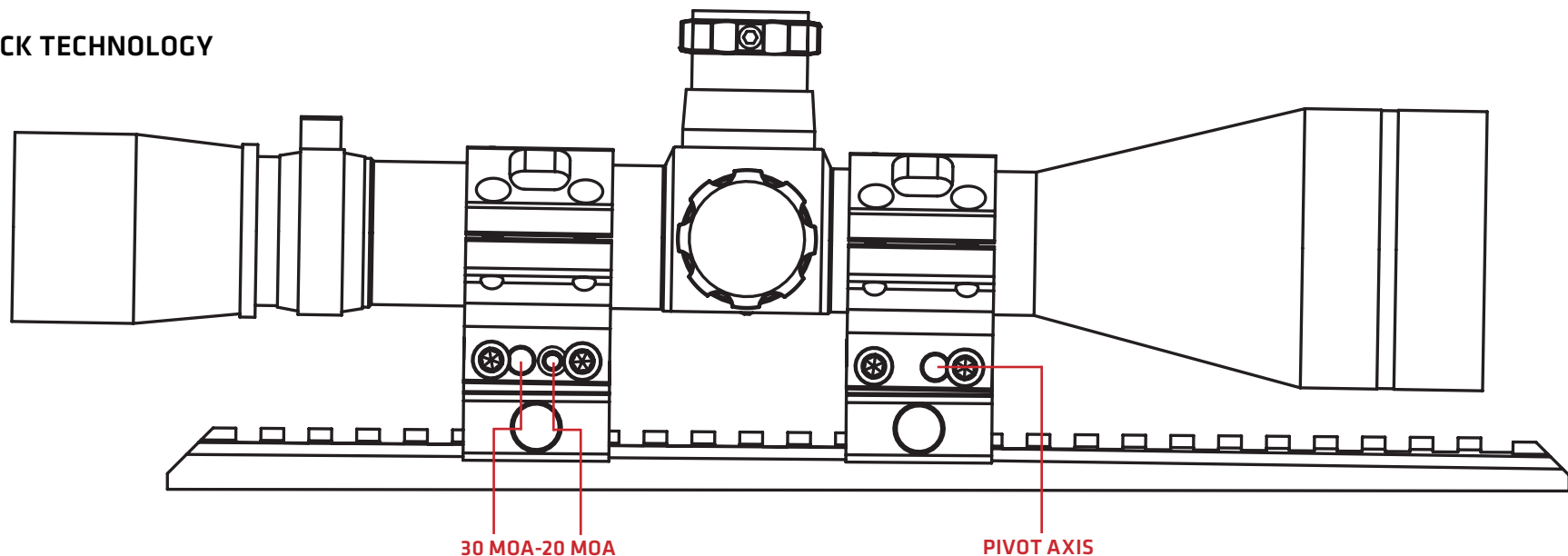
With dual MOA settings, ExRings allow maximum use of the riflescope's precise internal elevation adjustment by aligning the scope for long-range shooting. The front ring has a precision-fit pivot feature that allows the rear of the scope to be elevated at the rear ring with no chance of unwanted movement. The rear ring houses Barrett Pin-Lock Technology that offers two elevation settings by simply changing the location of a single pin.

Once an elevation setting is selected and the ring's cross bolts are torqued to specification, Barrett ExRings become a rock-solid mount with the perfect

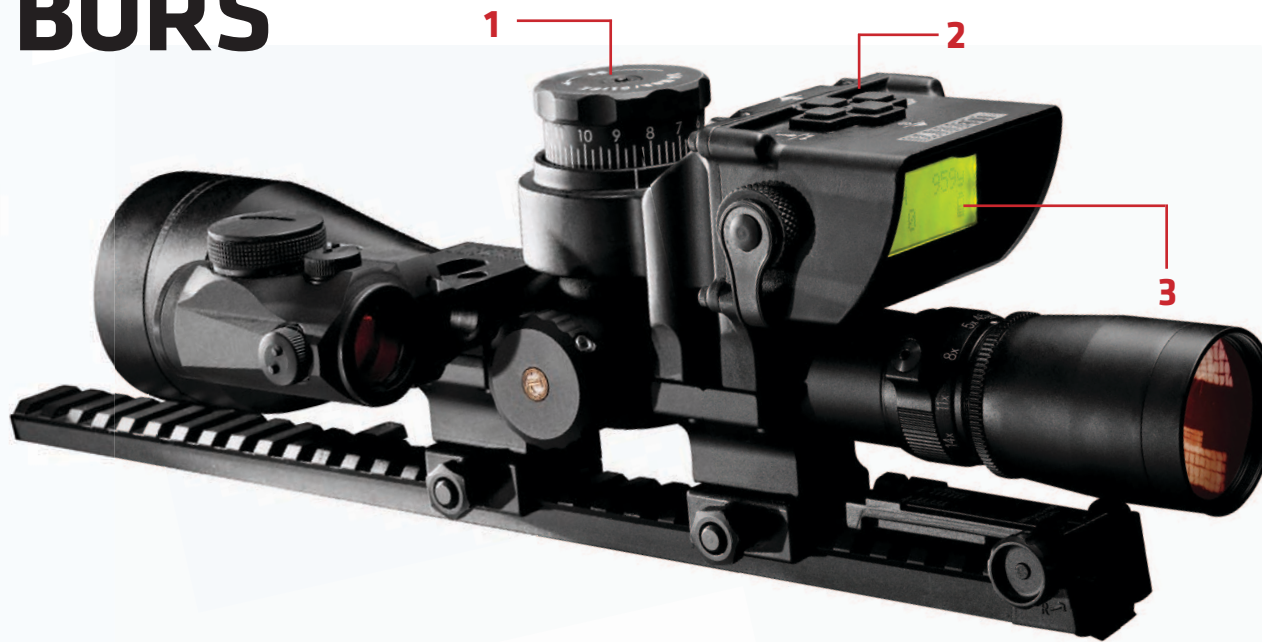
MOA elevation for your particular long-range rifle setup. Barrett rings are made from high-strength 7075 T6 aluminum for long-term durability.

Last, but not least, ExRings also incorporate Barrett ZERO-GAP® Technology to give you 360 degrees of heavy-duty holding power under even the harshest recoil. ExRings work on flat and tapered M1913 optics rails with riflescopes having up to a 70 mm objective lens. Adjustable between 15 and 40 MOA or 20 and 30 MOA taper and available in 30 and 34 mm, ExRings offer solutions to your scope mounting limitations.

PIN-LOCK TECHNOLOGY



BORS®



FEATURES

1. Couples with multiple systems' elevation knobs (See barrett.net for compatibility)
2. Soft touch, water resistant keypad
3. 1.71" (4.44 cm) x .625" (1.58 cm) illuminated LCD display
4. USB connectivity to transfer user programmable custom loads
5. Allows custom cartridge loads

Leave Nothing To Chance.

The Barrett Optical Ranging System (BORS) is an integrated ballistics computer that mounts directly on the riflescope and couples to the elevation knob.

BORS instantly takes care of the data work by drawing from several tables and taking into account a number of real-time external factors so you can focus on the task of achieving first round hits.

After determining the range to target, simply turn the elevation knob until the BORS screen matches your target's distance. Internal sensors automatically calculate the ballistic solution. BORS compensates for temperature and barometric pressure, calculates angle cosine and displays rifle cant.

The BORS kit includes the proprietary Barrett Ballistic PC Software that's pre-programmed with a library selected by Barrett. BORS USB data cable allows the transfer of user programmable custom loads to BORS from his or her computer.

Designed primarily to withstand military operations, BORS is rugged and able to operate with a variety of scopes, calibers and rifles.

SPECIFICATIONS

Weight:*
13 oz (370 g)

**Height Above
Centerline of Scope:**
2.49" (6.32 cm)

Width:
3.25" (8.26 cm)

Display:
2 lines, 12 character LCD

Operating Temperatures:
32° F thru 158° F
(0° C thru 70° C)

Operating Altitude:
-1,000 thru 20,000 ft
(-300 thru 6,100 m)

Tilt Range:
-90° thru 90°
(2-degree resolution)

Battery:
CR-123

Battery Life:
30 hour minimum

Buttons:
4 button

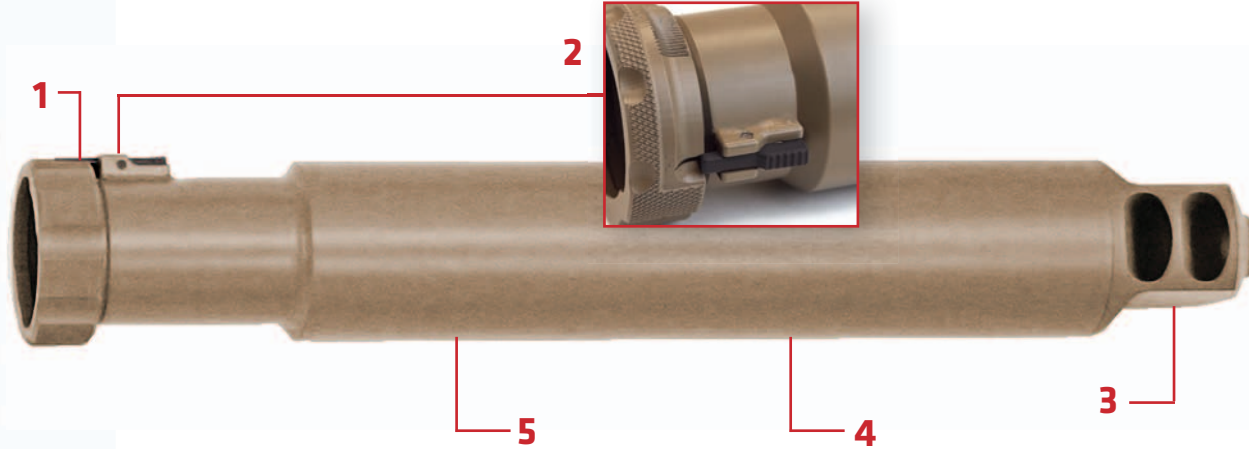
** Weight does not include rings.*

QDL SUPPRESSOR



QDL SUPPRESSOR

Power of suppression.



FEATURES

1. Quick deploy attachment method
2. Lock-ring coupler that clicks into ratchet grooves for a secure fit
3. Removable auxiliary muzzle brake for recoil management
4. Made of durable 4130 steel
5. Available in Tan or Black Cerakote

COMES WITH:

- Operator's Instructions
- Molle carrying case
- Thermal mirage cover

Eliminate signature, not reliability, by using a suppressor designed to work with your Barrett M107A1. This perfectly-engineered marvel includes a key element no other suppressor has ever incorporated: its own auxiliary two-port muzzle brake which reduces the recoil of suppressed fire. When minimal visible signature is required, the bolted-on auxiliary muzzle brake can be easily removed.

The Barrett QDL Suppressor's dual layered tube is constructed of heat treated high strength alloys. This, combined with redundant 360 degree welding, makes it the safest large bore suppressor on the market.

By simply sliding the Suppressor over the muzzle brake directly into the indexing point, proper alignment is guaranteed every time. Once in place, the Barrett unique lock-ring coupler clicks into ratchet grooves for a secure fit that nothing can shake. In fact, the entire system is designed to ensure perfect consistency with every installation in seconds.

SPECIFICATIONS

Model:
QDL Suppressor

Caliber:
.50 BMG

Length Added:
12.73" (32.23 cm)

Diameter:
2.5" (6.35 cm)

Length:
17.11" (43.46 cm)

Weight:
4.88 lbs (2.21 kg)

Finish:
Black or
FDE Cerakote™

**Total Decibel
Reduction:**
23 dB

Mount:
Quick Detach 1/4
Turn Lock Ring

Materials:
4130 Steel